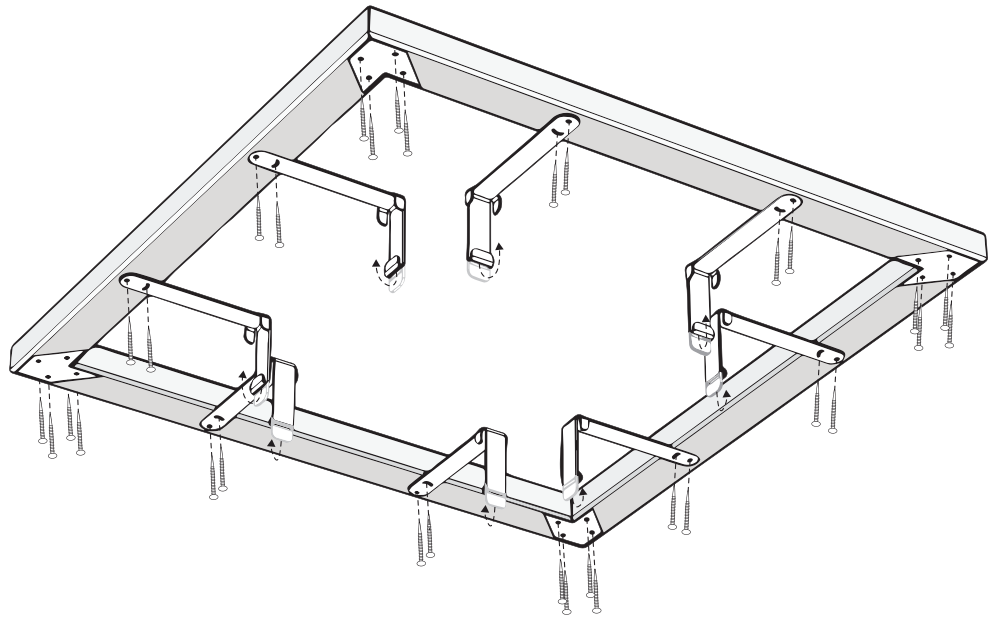


 x 32



EE Kaitsepiire

- Kinnita kronsteiniid kruvidega puidu külge, jättes sisemise kruvi pingutamata hilise-maks paigaldamiseks.
- Ühenda puitprofiilid piirdeks 4 nurga abil.
- Aseta kaitsepiire kerisele nii, et kerise välimine sein lukustuks kronsteini külgmiste painete vahele.
- Fikseeri piire kruvides kronsteini ja puidu vahel olevad pingutamata kruvid tihedalt kinni.
- Painuta (soovitavalt näpitsatega) kronsteini alumised otsad tihedalt ümber kerise seina, et fikseerida kronsteinide liikumine. Ongi valmis!

Leia ajakohaseim materjal meie kodulehelt www.huum.ee

EN Safety Railing

- Screw the supports to the wood profiles without tightening the inner screw (for better placement afterward).
- Create full railing by connecting wood profiles with 4 corner plates.
- Place the safety railing on the heater in a way that the heater's outer wall locks between the supports' side bends.
- Fix the untightened screws between the supports and wood profiles.
- Bend (using pliers) the lower ends of the supports tightly around the heater wall to fix the movement of the supports. Well done!

Find the latest updates on our website www.huum.eu



Made in Estonia, EU

info@huum.eu
huum.eu
[#huumsauna](https://www.instagram.com/huumsauna)

HUUM OÜ.
 Vinkli 2, Tartu,
 51014, Estonia